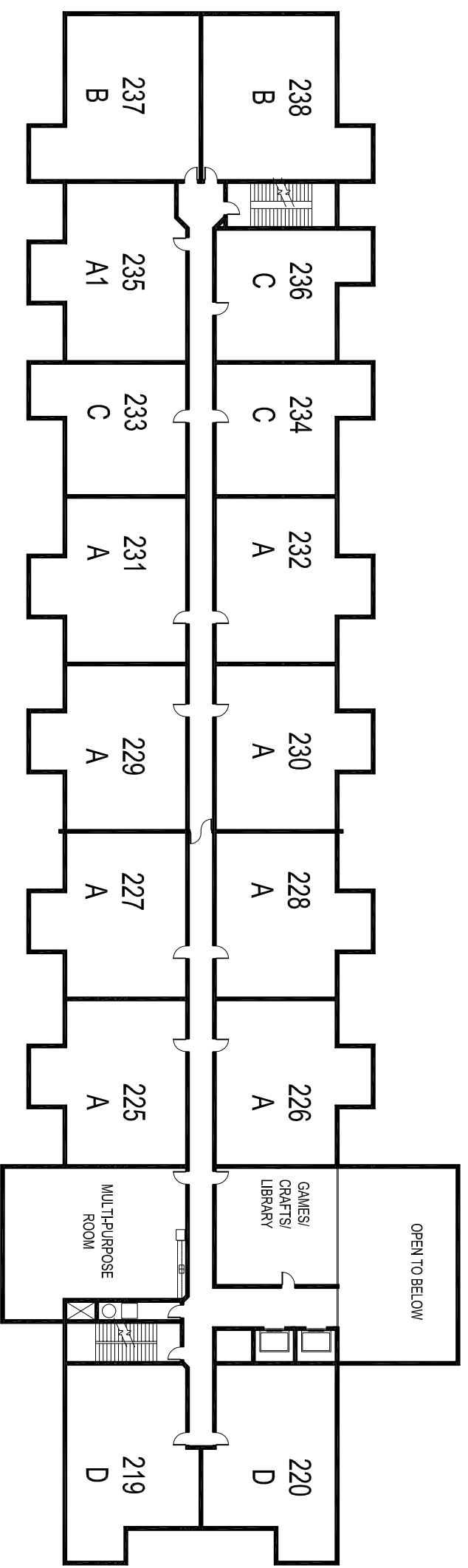


**Friesen Tokar** Architects + Landscape + Interior Designers

200 - 300 Waterfront Drive Winnipeg, Canada R3B 0G5 Tel. 204.385.9323 Fax. 204.387.7235

1 SECOND FLOOR PLAN  
A2.2 1:400



PROJECT TITLE

DRAWN BY

DRAWING

MG

DATE

THE CORNERSTONE SENIORS HOUSING PROJECT  
A.R.C.I.A.

March 10, 2009  
PROJECT NO.  
06972

A2.2